

LINEAR HIGH BAY SERIES

DIMMABLE LED HIGH BAY LIGHTS

The Lightwell Linear High Bay LED Lights are designed for applications up to 20 feet (6 meters) and are the ideal answer for commercial premises.

These lights use powerful Philips Lumileds for achieving the highest efficiency in lighting. With a flicker free Dimmable Mean Well Driver & an IP65 aluminium body with high thermal efficiency, these units guarantee durability and a long life span, saving on repair and replacements. They operate at 130lm/w and are designed to replace Metal Halide versions, whilst reducing energy costs by over 60%.

PRODUCT FEATURES

- ✓ IP65 rated for indoor & outdoor applications
- ✓ Meanwell HLG Series LED dimmable driver (1-10V)
- ✓ Philips Lumileds chips
- ✓ High thermal efficient aluminium heatsink
- ✓ Energy savings & reduced maintenance over HID high bays
- ✓ Environmentally friendly: no mercury or hazardous substances



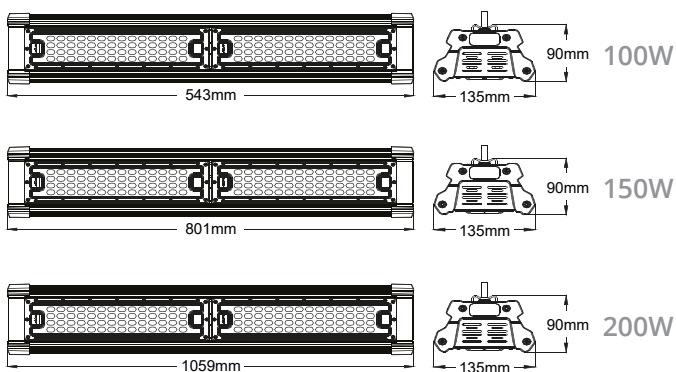
Application

Factory lighting, Stockroom lighting, Retail lighting,
Sports center lighting, Petrol station lighting,
Supermarket lighting, Stadium lighting, School lighting

PRODUCT SPECIFICATION

| Code | Dimensions | Lumens | Power | Input | LED | CCT | CRI | Beam | IP | Material | Dimmable |
|--------------|---------------|--------|-------|------------|---------|-------|-----|------|------|-----------|-----------|
| HBL-100W-CWD | 543*135*90mm | 13000 | 100W | AC100-240V | Philips | 6000K | >80 | 120° | IP65 | Aluminium | Yes 1-10V |
| HBL-150W-CWD | 801*135*90mm | 19500 | 150W | AC100-240V | Philips | 6000K | >80 | 120° | IP65 | Aluminium | Yes 1-10V |
| HBL-200W-CWD | 1059*135*90mm | 26000 | 200W | AC100-240V | Philips | 6000K | >80 | 120° | IP65 | Aluminium | Yes 1-10V |

DIMENSIONS



ATTRIBUTES

| | |
|---------------------------|------------------|
| Wattage: | 100W, 150W, 200W |
| Power Factor: | >0.93 |
| Beam angle: | 120° |
| Colour Temperature: | 6000K |
| IP Rating: | IP65 |
| Impact Protection Rating: | IK08 |
| CRI: | >80 Ra |
| Dimmable: | Yes 1-10V |
| Driver: | Mean Well |
| Chip: | Philips Lumileds |
| Operating Temperature: | -30° ~ 50° |
| Frequency: | 50/60Hz |